

Code Reader

# V400-R1

## Multi-code reading at a touch

- Accurate reading of Barcode and Data-matrix
- Easy adjustment of parameters
- 1.3 MPixel CMOS image sensor
- Flexible installation: front and side view variants



### Ordering information

#### Code Reader

Name	Type	Order code
Multi Code Reader	Front view	V400-R1CF
	Side view	V400-R1CS

#### Cables

Name	Length	Order code
PC communication cable (incl. Power)	0.8 m	V509-W011D
	5 m	V509-W016D
PLC communication cable (incl. Power)	0.8 m	V509-W011
	5 m	V509-W016

### Specifications

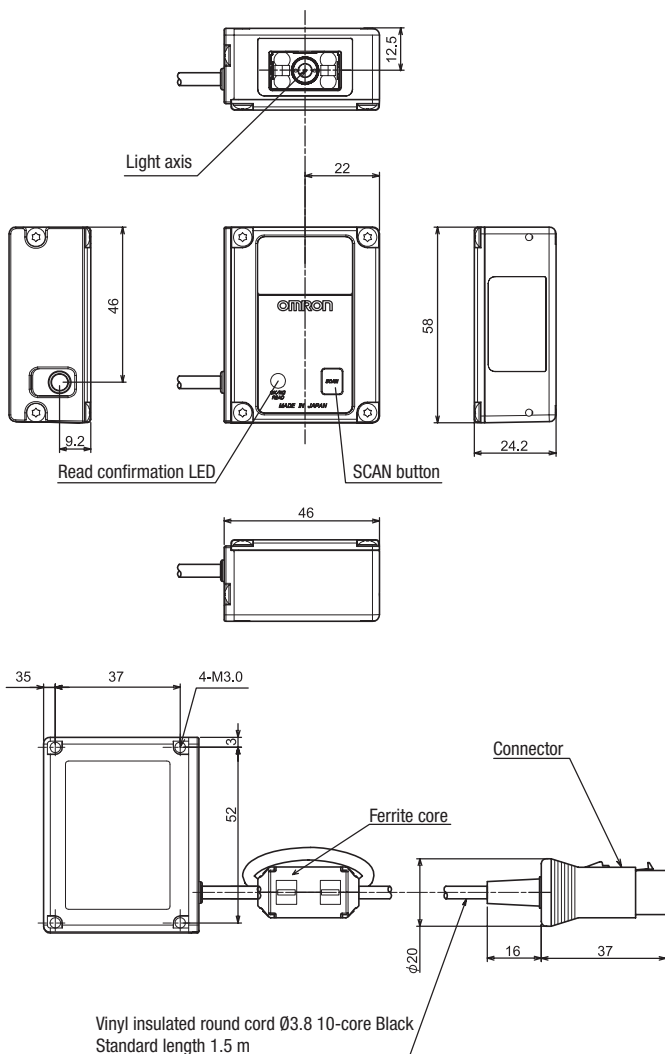
Item	V400-R1CF/V400R1CS
Bar code	JAN/EAN/UPC (A, E), CODE39, NW-7, ITF Industrial2of5, CODE93, CODE128 (including EAN128), RSS
2D code	DataMatrix (ECC200), QR Code, Micro QR Code, PDF417, RSS
Number of reading digits	No upper limit (depends on bar width and reading distance)
Light source	Four red LEDs (wave length: 630 nm)
Aiming light	Two green LEDs (wave length: 527 nm)
Minimum resolution	0.1 mm (bar code), 0.169 mm (2D code)
Image capture device	CMOS area sensor (1280 (H) x 1024 (V))
Working distance (WD)	60 mm
Field of view	52 x 41 mm (for WD = 60 mm)
Skew angle	-50 to 0°, 0 to +50°
Pitch angle	-50 to 0°, 0 to +50°
Tilt angle	360°
Reading of bar codes on curved surfaces	R > 15 mm (JAN8), R > 20 mm (JAN13)
Communication specification	RS-232C
OK/NG outputs	NPN open collector output
Function setting method	Menu sheet reading method or host command method
Reading trigger	External trigger (Transistor input) Trigger by command (RS-232C) Trigger a test reading by pressing the SCAN button on the product

Item	V400-R1CF/V400R1CS
OK/NG signals	OK signal is turned on to indicate a successful read OK signal is turned on to indicate a successful read of registered label NG signal is turned on to indicate a successful read of a non-registered label
Indication LED	OK LED (green) illuminates to indicate a successful read NG LED (red) illuminates for failed reading with an error message output
Buzzer	Notifies a successful reading with a buzzer sound (Muting available)
Power voltage	4.5 to 5.5 VDC
Consumption current	During operation: 500 mA or less; during standby: 300 mA or less
Ambient temperature	At operation: 0 to + 45° C; At storage: 2 to + 60° C
Ambient humidity	At operation and storage: 20 to 85% RH (with no icing or condensation)
Ambient atmosphere	No corrosive gases
Ambient light resistance	10,000 lx (fluorescent lamp), 100,000 lx (sunlight)
Vibration resistance	12 to 100 Hz, 19.6 m/s <sup>2</sup> (2G), 1 hour each in three directions
Degree of protection	IP54 (IEC60529)
Weight	Approximately 270 g (including cables, ferrite core, mounting bracket, insulation board and screws)
Dimensions	58 x 46 x 24.2 mm
Input connector	Round DIN connector
Accessories	Operation manual, ferrite core, menu sheet, mounting bracket, insulation board, M3 x 8 screws (four), M5 x 10 screws (two)
Housing	Aluminum die-cast (ADC12)

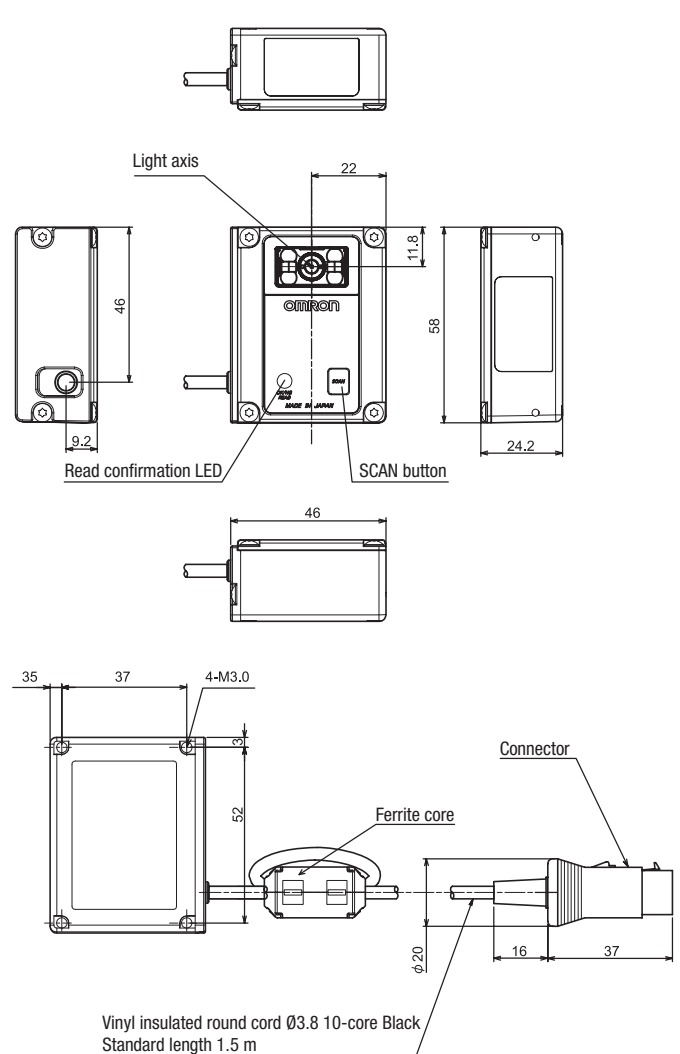
## Dimensions

### Multi-code reader

#### V400-R1CF

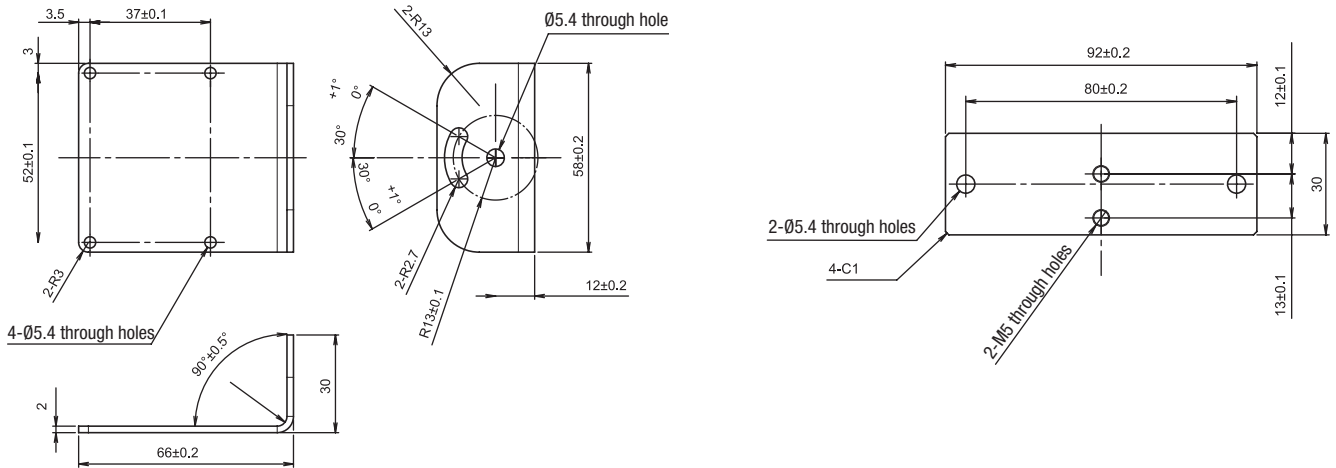


#### V400-R1CS



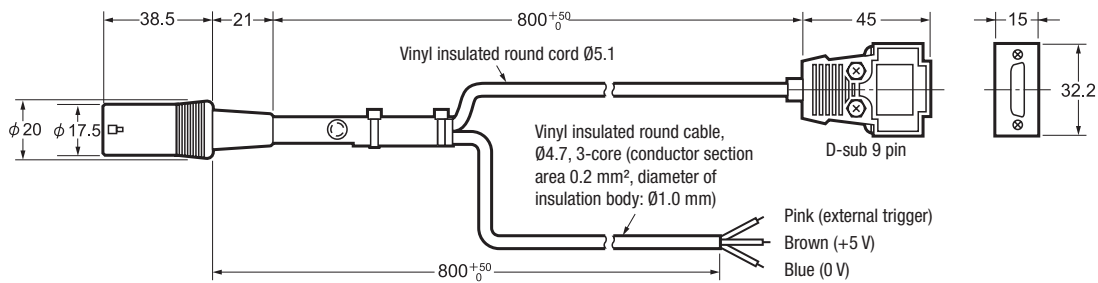
### Mounting bracket

Base



Cable for programmable controller connection

V509-W011

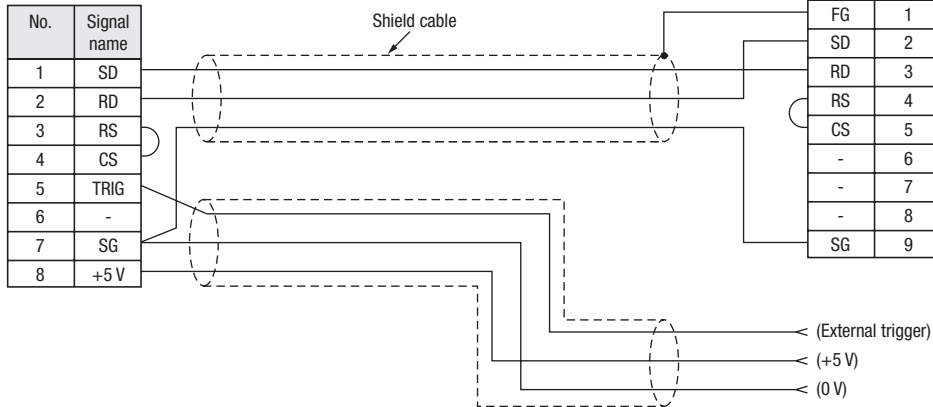


Reader side  
DIN 8-pin connector

No.	Signal name
1	SD
2	RD
3	RS
4	CS
5	TRIG
6	-
7	SG
8	+5 V

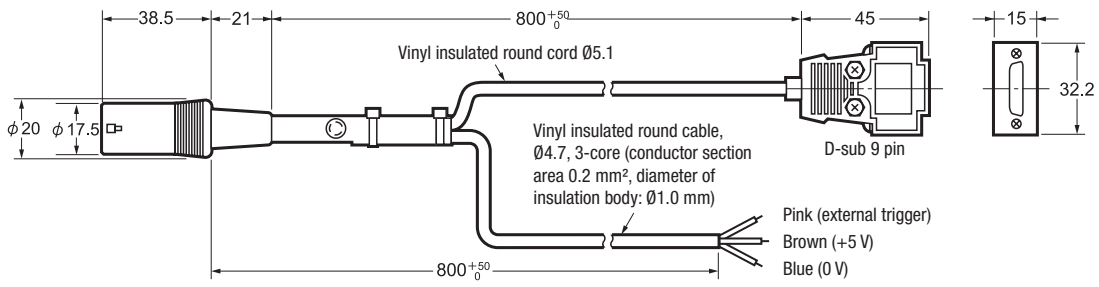
Upper equipment side  
D-sub 9-pin

Signal name	No.
FG	1
SD	2
RD	3
RS	4
CS	5
-	6
-	7
-	8
SG	9



Cable for connecting PC

V509-W011D

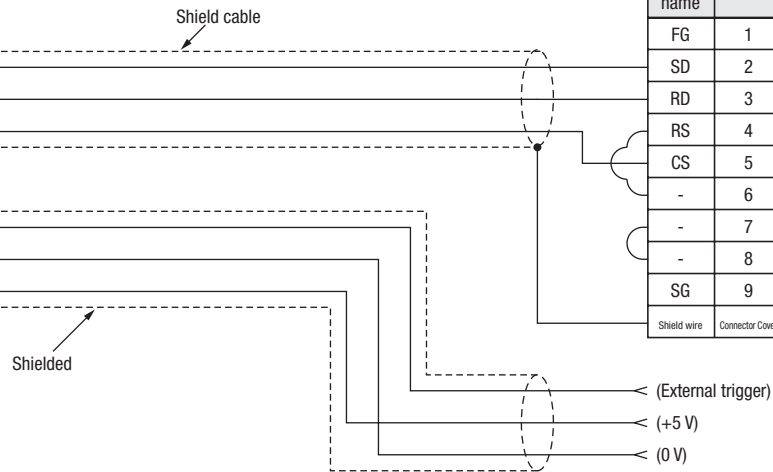


Reader side  
DIN 8-pin connector

No.	Signal name
1	SD
2	RD
3	RS
4	CS
5	TRIG
6	-
7	SG
8	+5 V

Upper equipment side  
D-sub 9-pin

Signal name	No.
FG	1
SD	2
RD	3
RS	4
CS	5
-	6
-	7
-	8
SG	9
Shield wire	Connector Cover



Cat. No. Q22E-EN-01A

In the interest of product improvement, specifications are subject to change without notice.

**OMRON EUROPE B.V.**

Wegalaan 67-69,  
NL-2132 JD, Hoofddorp,  
The Netherlands  
Phone: +31 23 568 13 00  
Fax: +31 23 568 13 88  
www.industrial.omron.eu